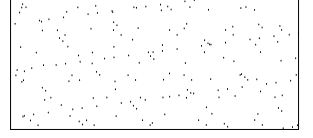
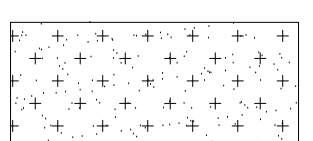


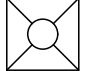
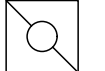

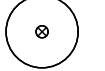
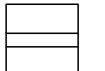



LEGEND

-  PAINTED GYPSUM BOARD CEILING
-  2 HOUR FIRE RATED PAINTED GYPSUM BOARD CEILING
-
-
-  RECESSED INCANDESCENT LIGHT FIXTURE
-  CEILING MOUNTED EXIT LIGHT
-  2' X 2' SUPPLY DIFFUSER
-  2' X 2' RETURN AIR GRILLE
-  EXHAUST FAN
-
-  PENDANT LIGHT FIXTURE SEE ELECTRICAL DWG.
-  2' X 2' LAY-IN DIRECT/INDIRECT LIGHT FIXTURE - SEE ELECTRICAL DWG.
-  2' X 2' FLUORESCENT LIGHT FIXTURE SEE ELECTRICAL DWG.

NEW TOWN HALL FOR:
VILLAGE OF ST. HELENA
EAST MAIN STREET
ST. HELENA, N.C.

Project Reference Numbers
Architect's Project No. 180009
Drawn By: JGM

REVISIONS

NO.	DESCRIPTION	DATE

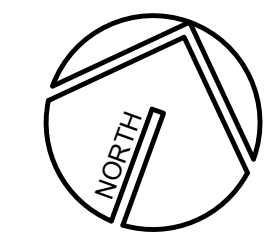
DATES

PHASE	ISSUED
PERMIT	05/15/2018

REFLECTED CEILING PLAN

SHEET NUMBER

A10



REFLECTED CEILING

plan

SCALE: 3/16" = 1'-0"

01